

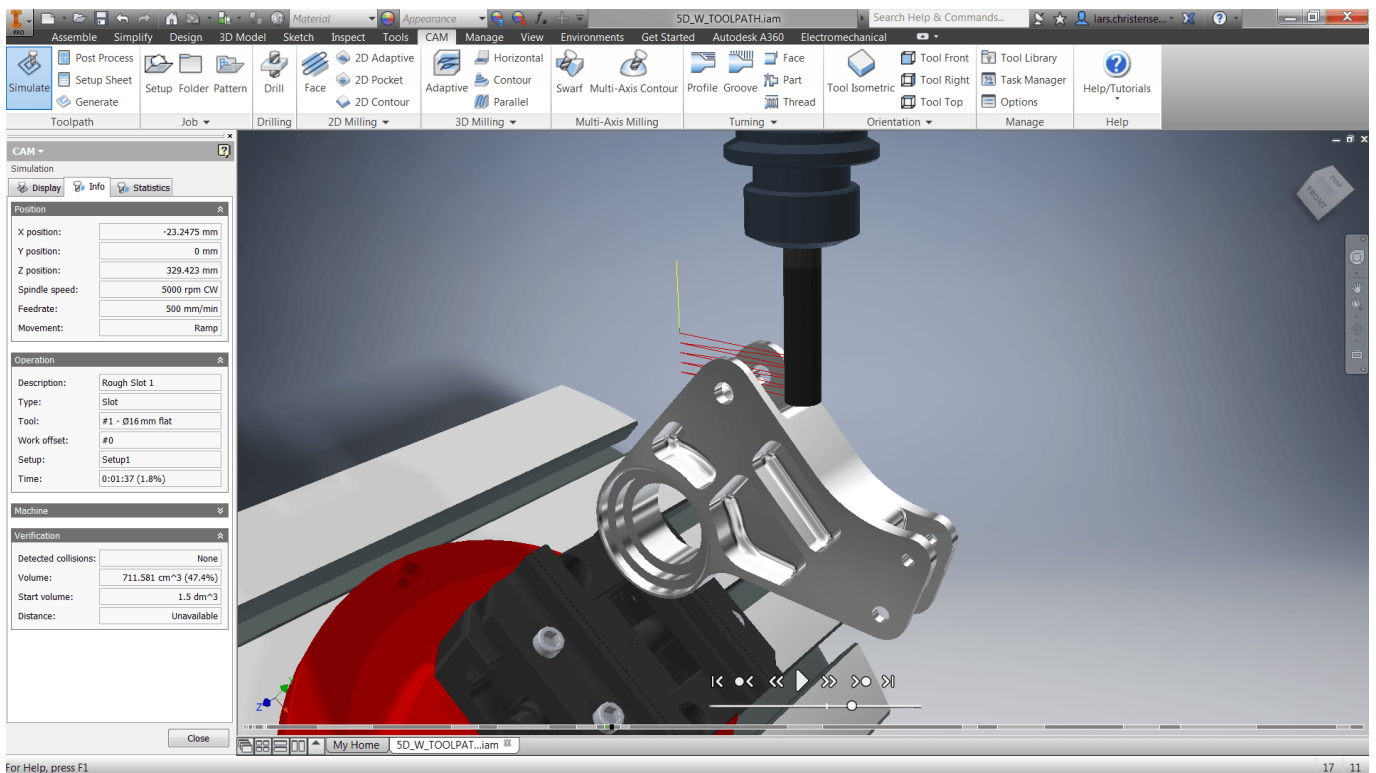


DOWNLOAD



DOWNLOAD

[Inventor For Mac Free](#)



[Inventor For Mac Free](#)



DOWNLOAD



DOWNLOAD

AutoCAD 2019 for Mac Free Download Download AutoCAD 2019 free setup for Mac OS It is Offline dmg File with direct download link with the standalone compressed file.

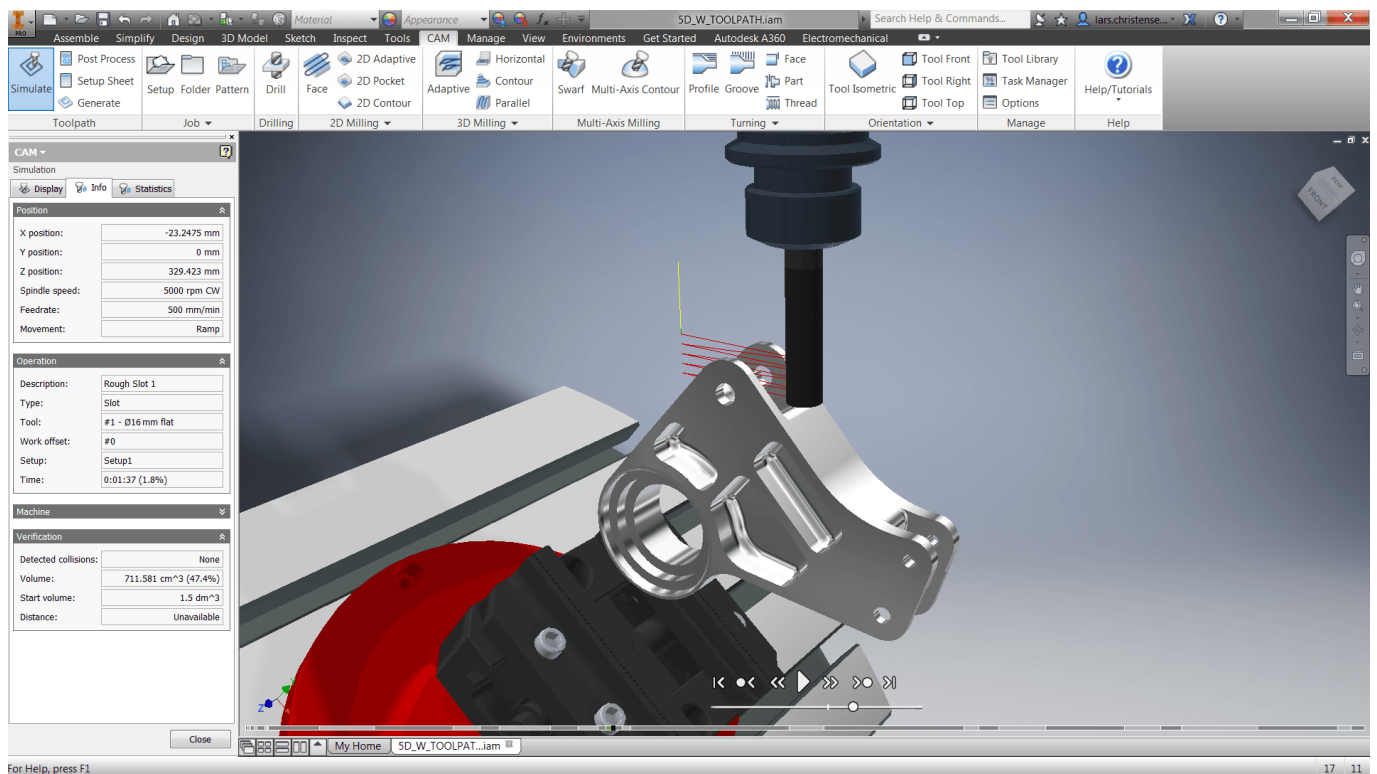
1. [inventor meaning](#)
2. [inventory](#)
3. [inventor download](#)

The drag and drop system is better than selecting blocks from another window as files or entities, said Alessandro Dadda, Architectural DrafterCAD Designer.

inventor meaning

inventor meaning, inventor student, inventor definition, inventor download, inventor autodesk, inventory, inventory meaning, inventor, inventory management, inventory policy, inventory turnover, inventorization, inventorisation, inventory turnover formula, inventory tweaks, inventory source [Wii Opera Internet Channel Wad Download](#)

With AutoCAD 2020 for Mac, the dark theme has a modern dark blue interface designed to work with recent icon improvements.. Insert blocks efficiently with the new Blocks palette The new Blocks palette makes it easier to insert blocks with visual galleries and the ability to filter for the exact block youre looking for.. New dark theme is easy on the eyes Your user interface is something you look at and use all the timethats why were always working on improving its clarity and crispness. [Messengers For Mac Os X](#)



[Dmg Entertainment Logo](#)

inventory

[Au rapport colonel reyel rar extractor](#)

I find my eyes are less tired using it compared to my custom colors, said Dereck Phegley, Mechanical Designer/Drafter of Heat and Control.. AutoCAD 2019 for Mac Overview: AutoCAD 2019 flagship product is a computer-aided design software program designed by designers, architects and engineers to construct two-dimensional and three-dimensional fashions of built-in or networked surfaces.. Dimensions, distances, and angles are dynamically displayed as you move your mouse over and between objects.. Since 1982, when the primary model of Autodesk AutoCAD 2019 Trial Version software was launched to the market, it turned essentially the most broadly used laptop design software because of the superior features of automotive and laptop design.. This software product by Earlier than designing with the assistance of computer systems, the designers needed to work with instruments comparable to design boards, pencils, automata, rulers, compasses and tunes that had been rather more restricted than fashionable instruments like AutoCAD. [Gta San Andreas Iso Filecrop File](#)

inventor download

[Unduh App B612 Descargar Gratis En Espanol](#)

You can simply drag and drop blocks into the drawing or double-click from Current Drawing, Recent, or Favorites tabs.. Inventor Update Your LanguageTo update your language, simply select your preferred language in the Application Preferences dialog, and restart AutoCAD for Mac to see the change.. Inventor Mac Is NowAutoCAD for Mac is now available in Korean Last year, we added both German and Japanese languages to AutoCAD for Mac, in addition to the already available English and French languages.. The Blocks palette is easy to use and has better visual communication because you can recognize blocks immediately.. Inventor Mac Is NowInventor Update Your LanguageThis year, were pleased to announce that AutoCAD for Mac now offers Korean language support.. Were excited to bring you new features and enhancements that help you draft, design, and make anything.. The palette increases efficiency for finding and inserting multiple blocks and recently used blocksincluding the addition of a Repeat Placement option to save steps.. This fresh new look provides optimum contrast without distracting from the drawing area, where your focus should be.. Display measurements at a glance with Quick Measure Measuring distances is faster than ever with the new Quick Measure tool (new Quick option of the MEASUREGEOM command).. You can also download This software program is presently essentially the most broadly used industrial design and cartography software program that has over 100 million customers worldwide. 0041d406d9 [7 Levels Of Wealth Manifestation Pdf](#)

0041d406d9

[December 08th, 2017](#)